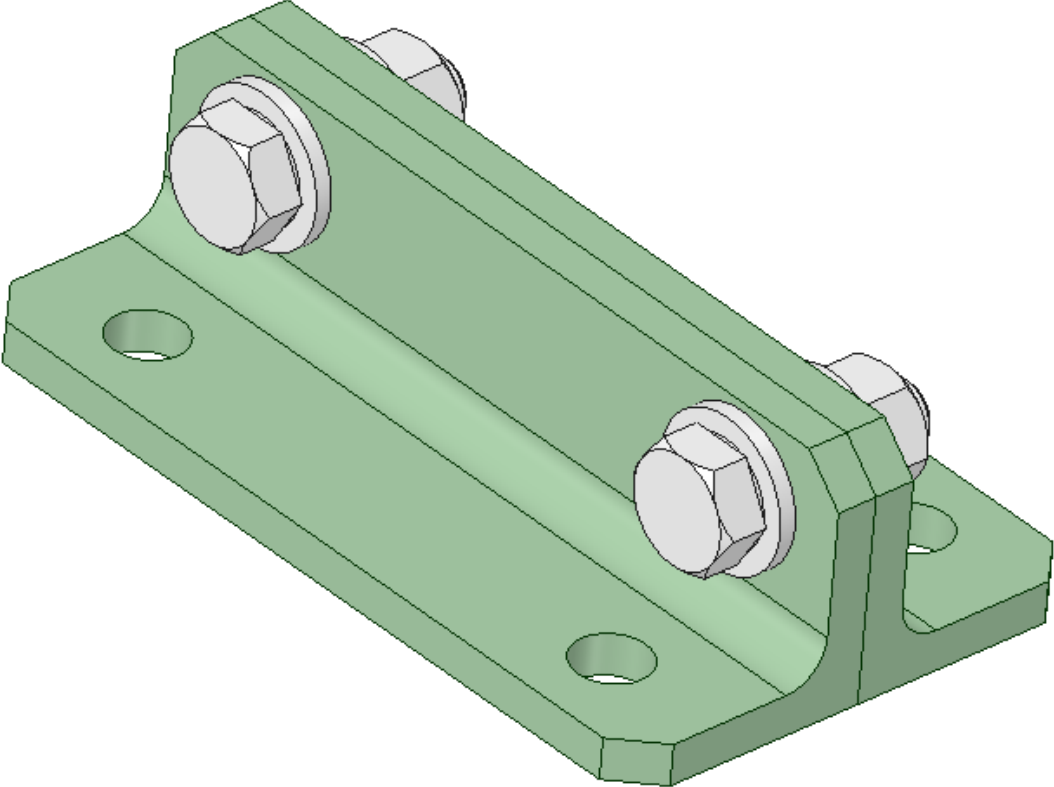
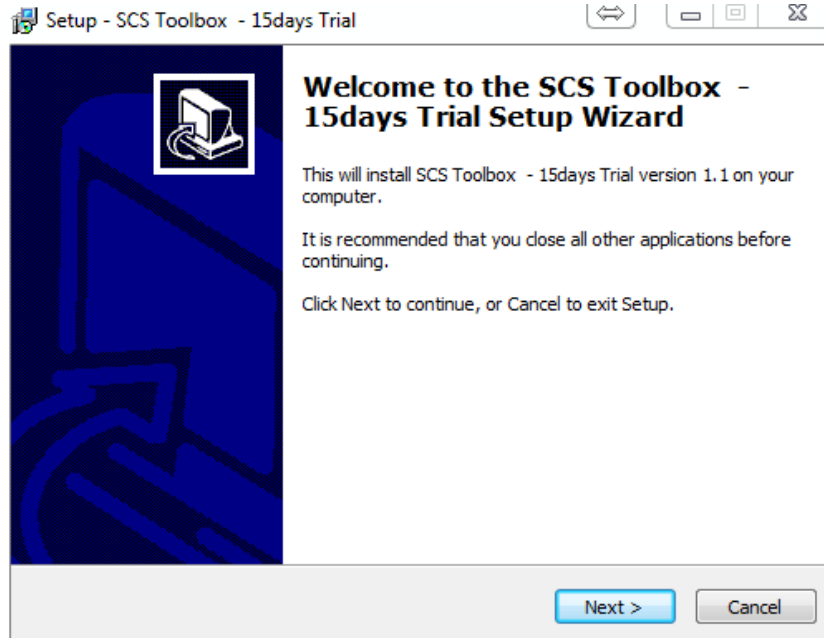


SCS Toolbox User Guide



1. Installation

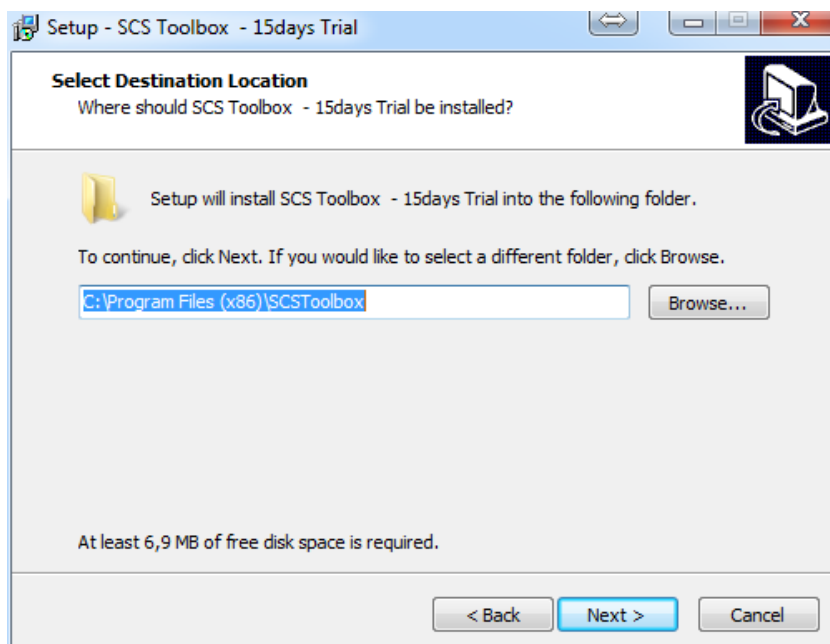
1. Run Setup.exe



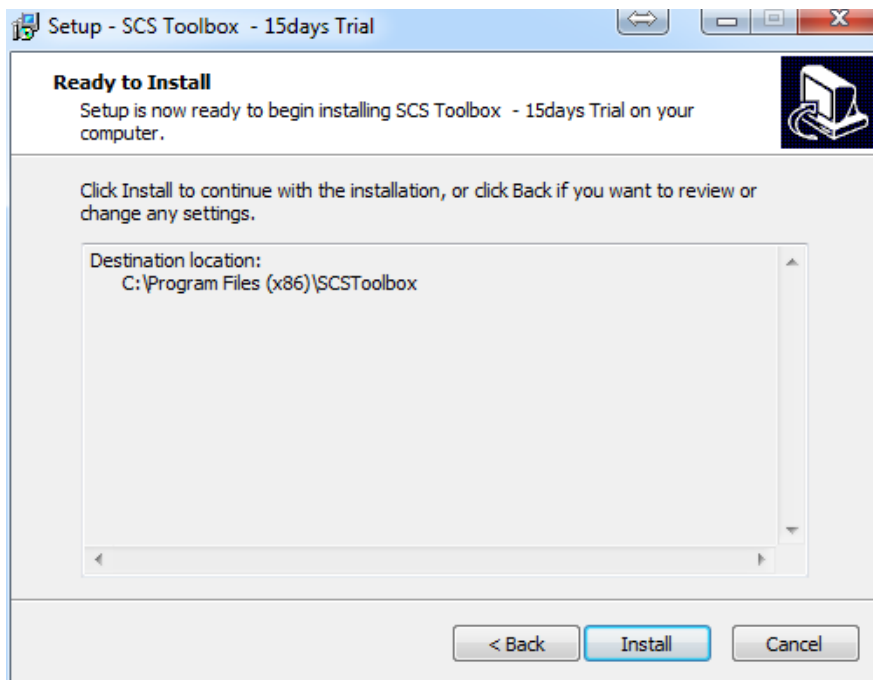
2. Click Next Button

3. Select Installation Path

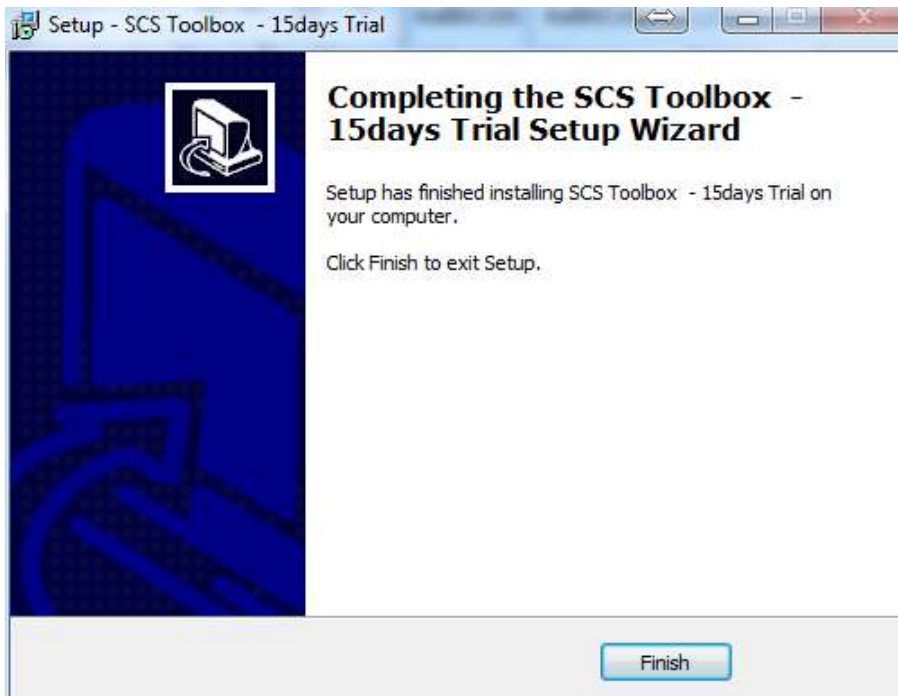
(Note! If you are using different path that default you have to change the ToolBox Path in SpaceClaim Options / ToolBox to point at the SCSToolbox folder)



4. Select install button to start the installation



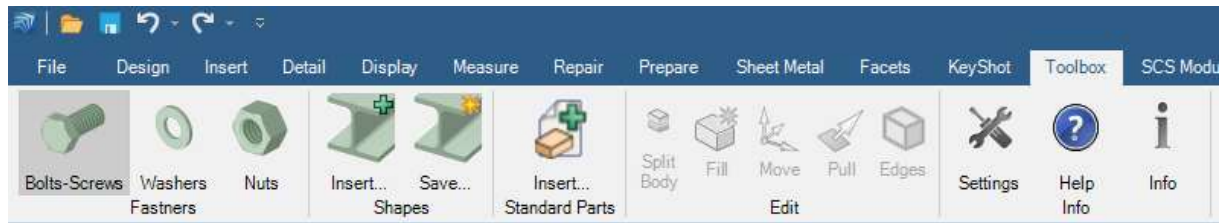
5. Select Finnish to end Installation



6. Installation is now complete

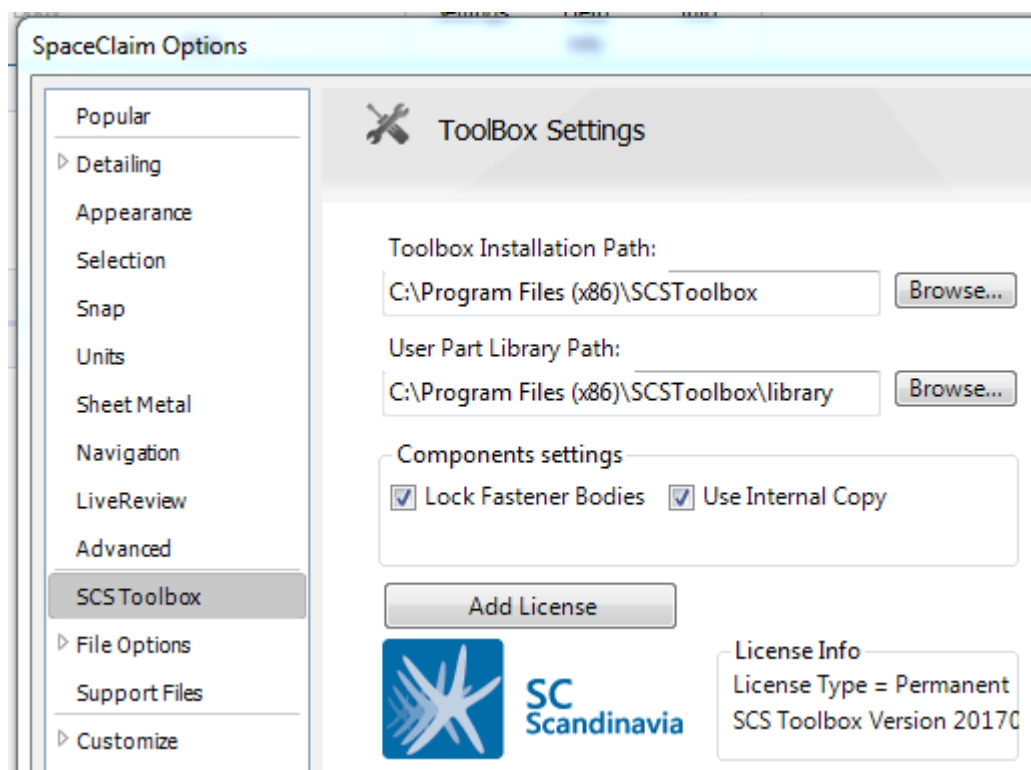
2. First run

1. Start SpaceClaim
2. Locate and select the Toolbox Tab in SpaceClaim



3. If a none default installation path was selected in the installation process

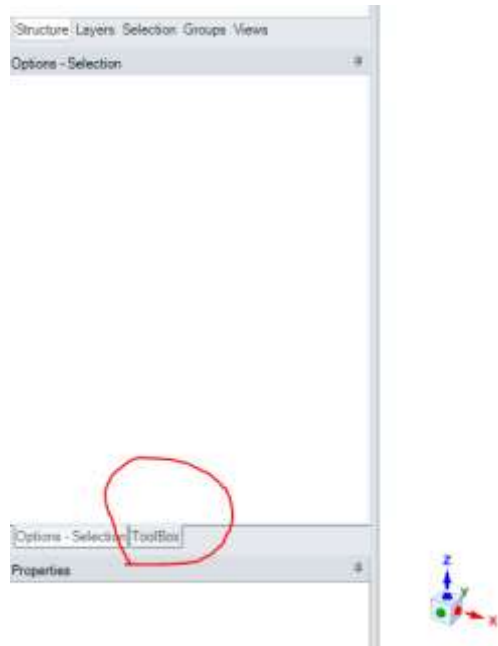
Select the settings button.



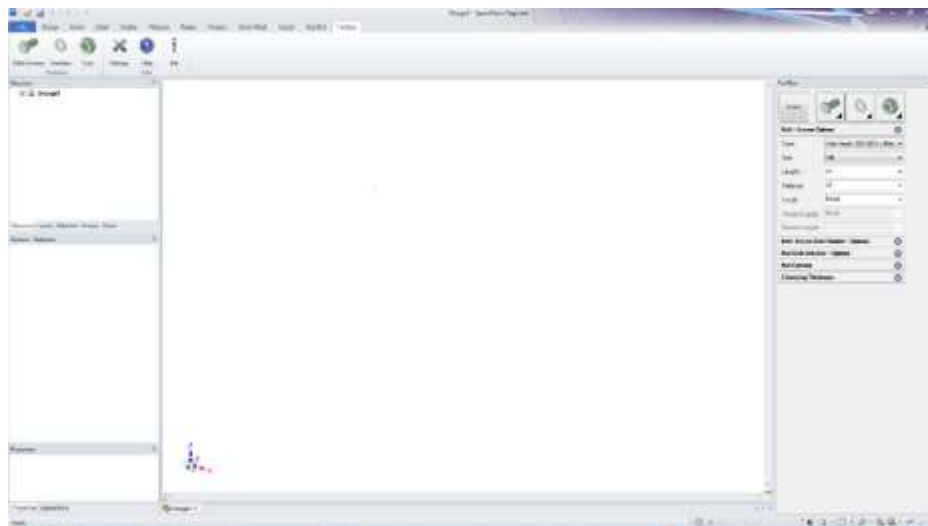
Use the Browse button to find the path to the SCSToolBox folder.
Use the OK button Save and Close the settings dialog.

4. SCSToolBox Panel

The ToolBox Panel is default attached to the Option Panel in SpaceClaim.

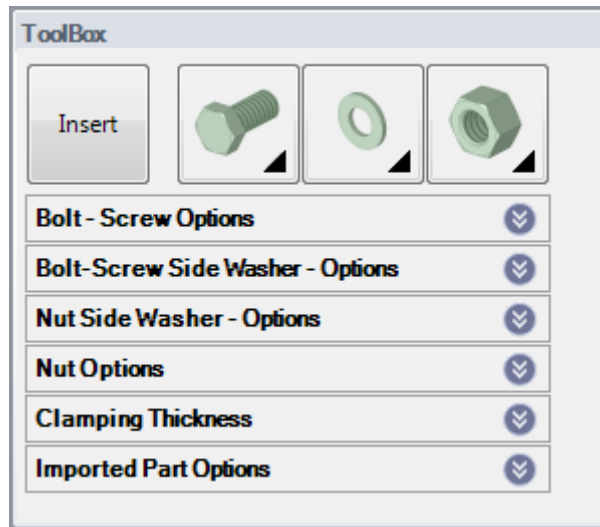


This panel can be moved and docked in the SpacClaim Window.
(Use Drag and Drop to move the panel)



Sample of alternative docking position.

3 . ToolBox Features



This selection enable you to insert

- 1. Screws
- 2. Screws with Washers
- 3. Bolts stack-up with washers and nuts
- 4. Existing Parts (Pre-Created components)



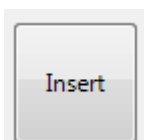
This selection enable you to insert

- 1.Washers



This selection enable you to insert

- 1.Nuts
- 2.Nuts and Washers



This button will insert current Screw/Bolt configuration based om active selection

Selections:

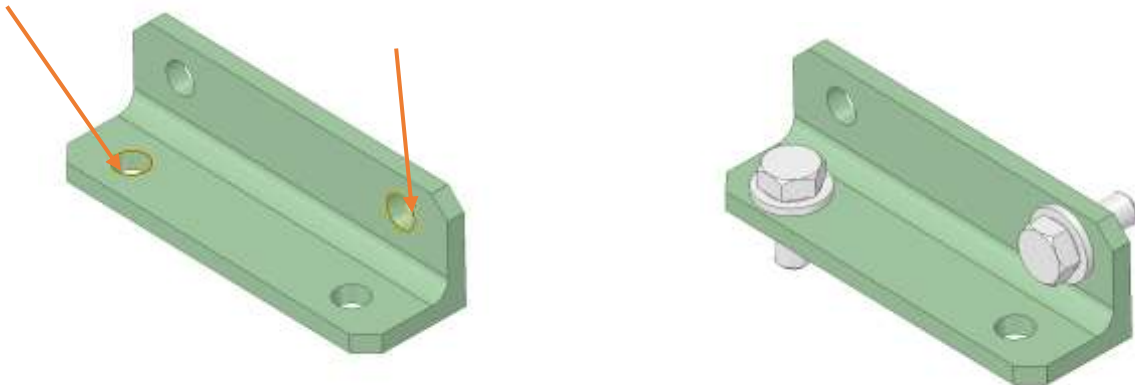
There is a number of different ways to select where the hardware shall be placed.

1.



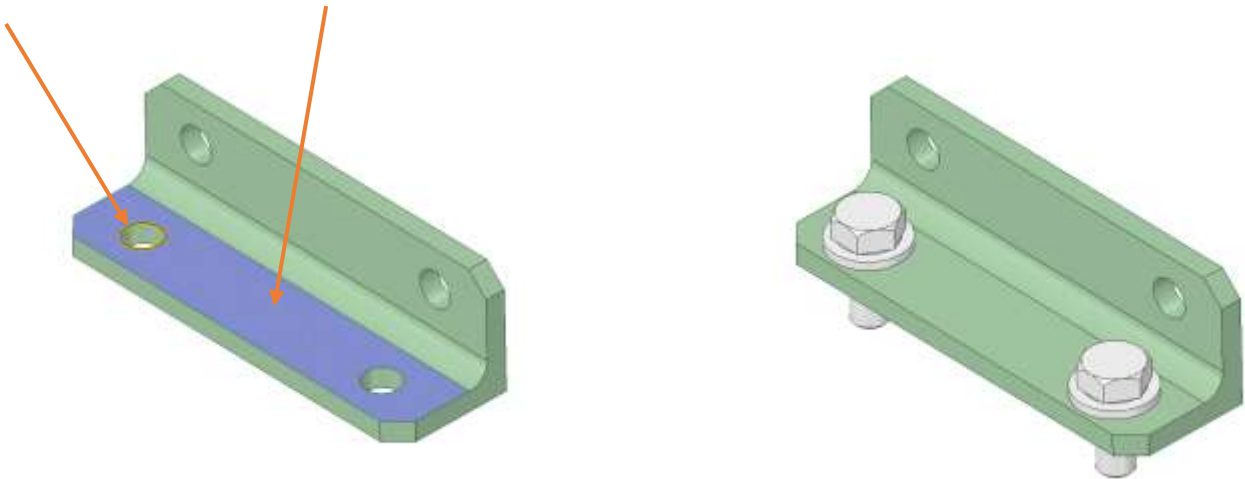
Selecting a single circular edge and toolbox **INSERT** – key to add hardware.

2.



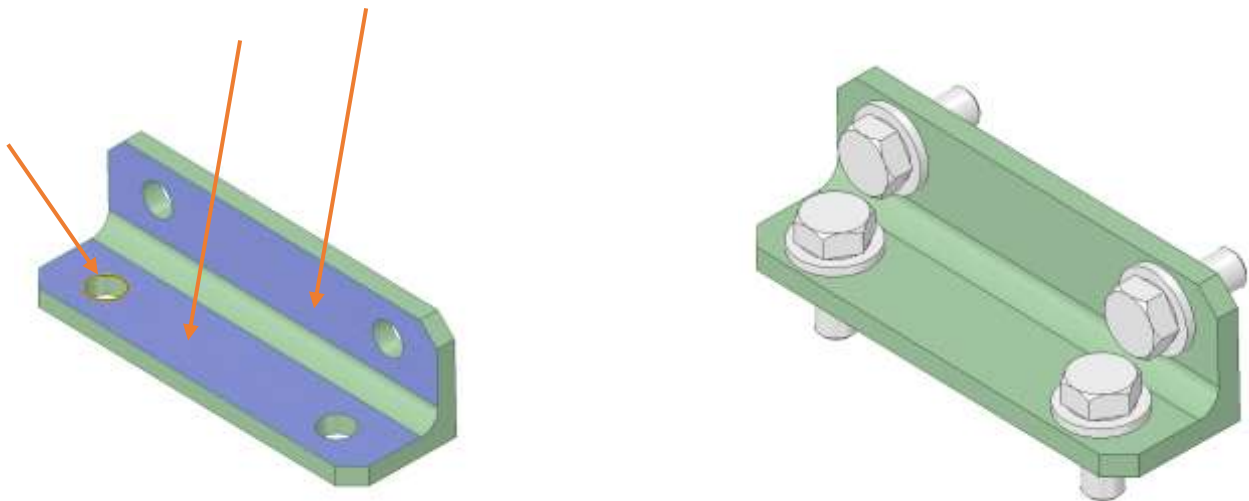
For selecting 2 or more circular edges use the **CTRL** - key and then use the toolbox **INSERT** - key to add hardware.

3.



For selecting 1 edge and 1 face use the **ALT** - key and then use the toolbox **INSERT** - key to add hardware.

Note! : In this case the selection will be based on the size of the first selected edge and if there is any other edge on the selected face that matches this size it will be selected as well.

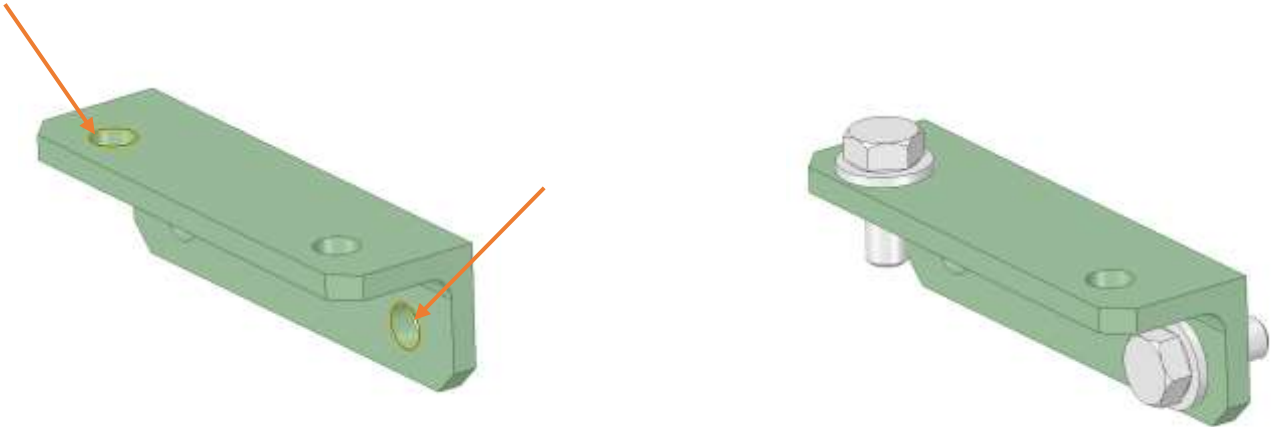


4.

For selecting 1 edge and 2 or more faces use the **ALT** – key for the first face and then use **ALT + CTRL** – Keys for the remaining faces. Then use the toolbox **INSERT** - key to add hardware.

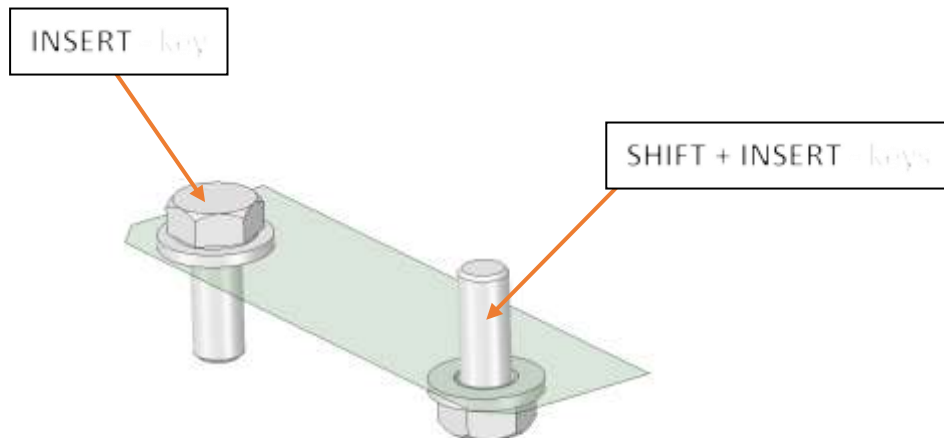
Note! : In this case the selection will be based on the size of the first selected edge and if there is any other edge on any of the selected face that matches this size it will be selected as well. Faces can be selected from different parts

5.



For selecting 2 or more circular edges use the **CTRL** - key and then use the toolbox **INSERT** - key to add hardware. The orientation of the Hardware is dependent on the selected edge of the hole. The selected edge will be the head side of the hardware.

6.

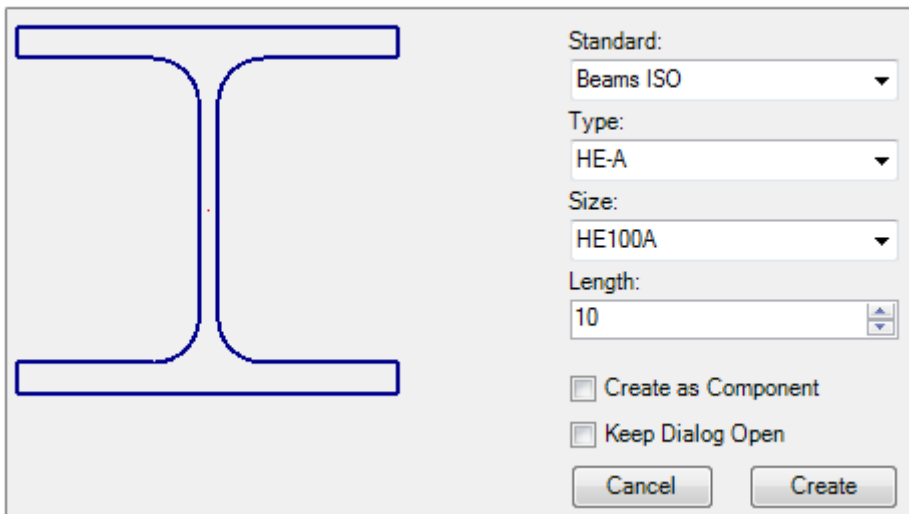


SHIFT + INSERT - keys will add the hardware in the opposite direction.

Note! : If the hardware is inserted in wrong direction use the UNDO button and retry with SHIFT + INSERT – Keys selected.

4 . ToolBox Shapes

Select Shape



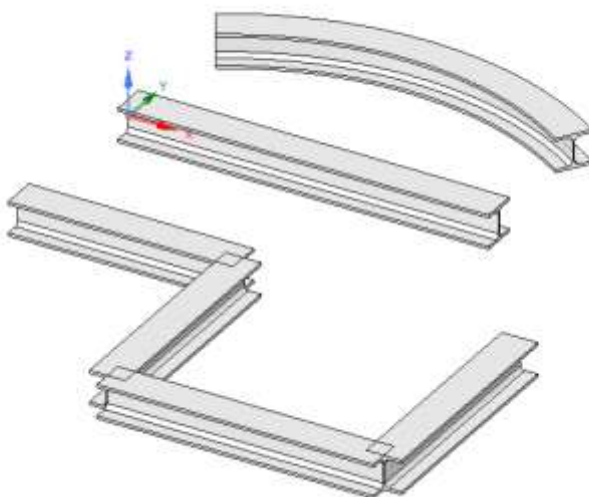
1. Insert Shape Dialog.

Shape can be added in two ways.

If a sketched objects as curves, lines, arcs are selected the shape profile will follow that object as a sweep solid (per object).

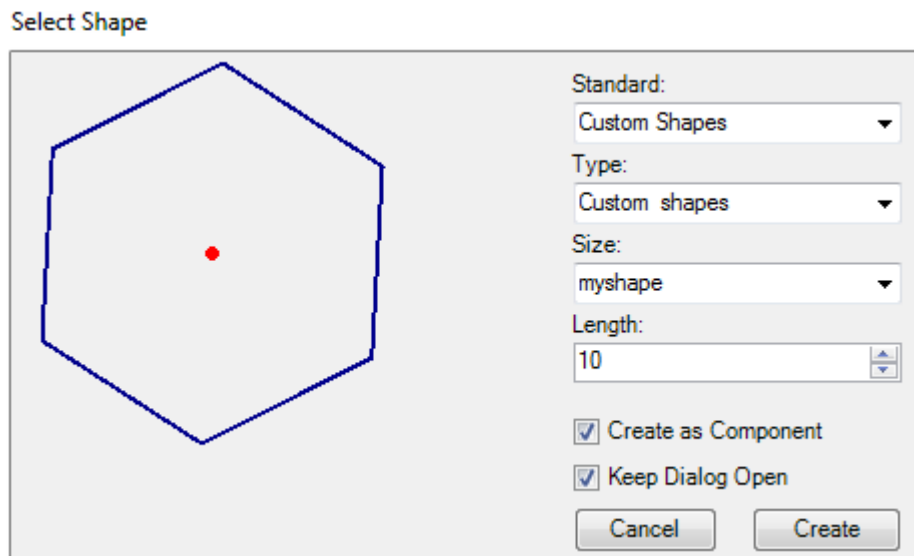
The sketch will be in center of the profile.

If no sketched object is selected the solid will be extruded in the Z direction at point 0.0 of the part / assembly.



Sample of sketch guided shapes.

4. The shape is now saved in the toolbox library.



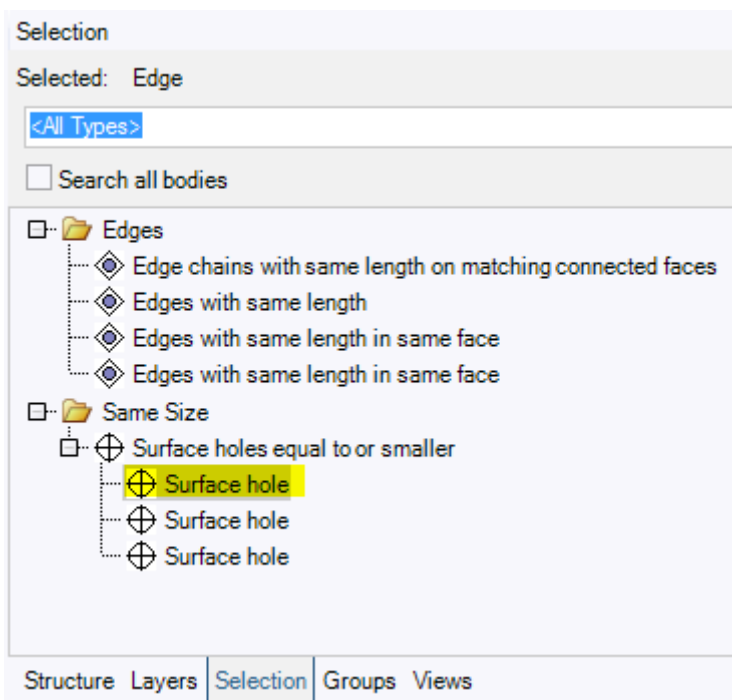
4 . ToolBox Insert Standard Parts



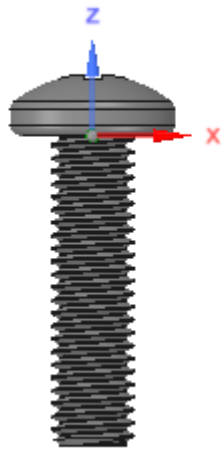
The SCS Toolbox insert Standard Parts will insert any *.SCDOC

At a pre-selected position. (See section 3 Selections for valid selections)

It will also work with some of the power selections like Surface holes.



To prepare a Standard Part to align properly it need to have the z-axis in the hole / shaft direction. The part will be located with Z=0 at the selected edge / face.

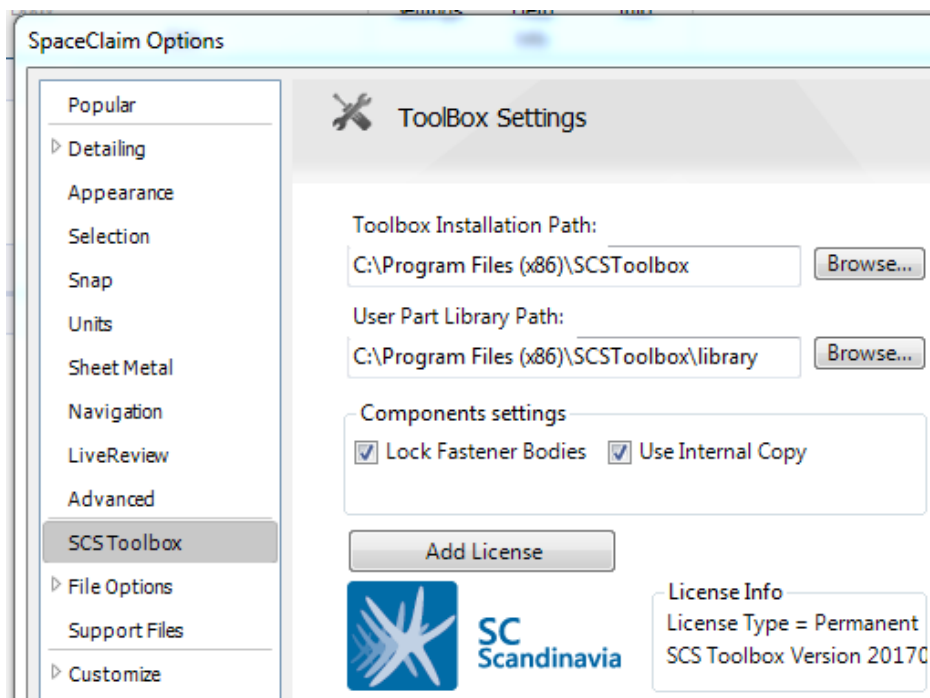


Sample of Standard Part with correct orientation

4 . Toolbox Licensing

To add a SCS Toolbox license key.

Go to Toolbox settings and select the Add License button



SCS ToolBox Licens Manager

How to:

1. If you have a Licens Key select edit Key and Paste the key in to the SCS Toolbox License Key field. Press Save and restart SpaceClaim to load the SCS Toolbox.
2. If you don't have a Licens Key E-Mail the Request Code and your Contact Information to info@scscandinavia.se

Computer ID / Request Code

XXX-XXXXXX-XXXXX-XXXXX-XXXXX-XXXXX-XXXXX-XXXXX

Copy ID

SCSToolbox License Key

Edit Key

Cancel Save

If you already have a key then select edit key and Type / Paste the key.

If the key is valid you will be asked to restart SpaceClaim.

If you don't have a valid key you can e-mail the request code with contact information to info@scscandinavia.se